

PRODUCT SHEET

LEVEL CONTROLLER - DC-LS-50

Transfer Lines

Conditioning
Equipment

Components

Filling Stations

Controlling

DC-LC-110

DC-LS-50

DC-O2-100

The DC-LS-50 is a robust, easy to mount level sensor specially developed for cold stored liquid gases in closed containers like; storage tanks, dewars and phase separators. Our DC-LS-50 level sensor can be used for multiple gases like nitrogen, oxygen, argon and carbon dioxide and it provides an accurate and reliable digital liquid level indication. Readout is possible by local battery powered display or continuous by external control unit.

The electrical capacitance of the sensor, increases ratio metrically with the measured liquid height and is converted into an easy to read, accurate digital readout with 0.1% resolution.



FEATURES

All stainless steel

Deliverable in lengths from 0,2 up to 2 meter

Battery powered and/or loop with life indicator

Readout on request

Ingress protection IP65

Up to 35 bar nominal pressure

Easy to mount

Easy adjustment and calibration



PRODUCT SHEET

LEVEL CONTROLLER - DC-LS-50

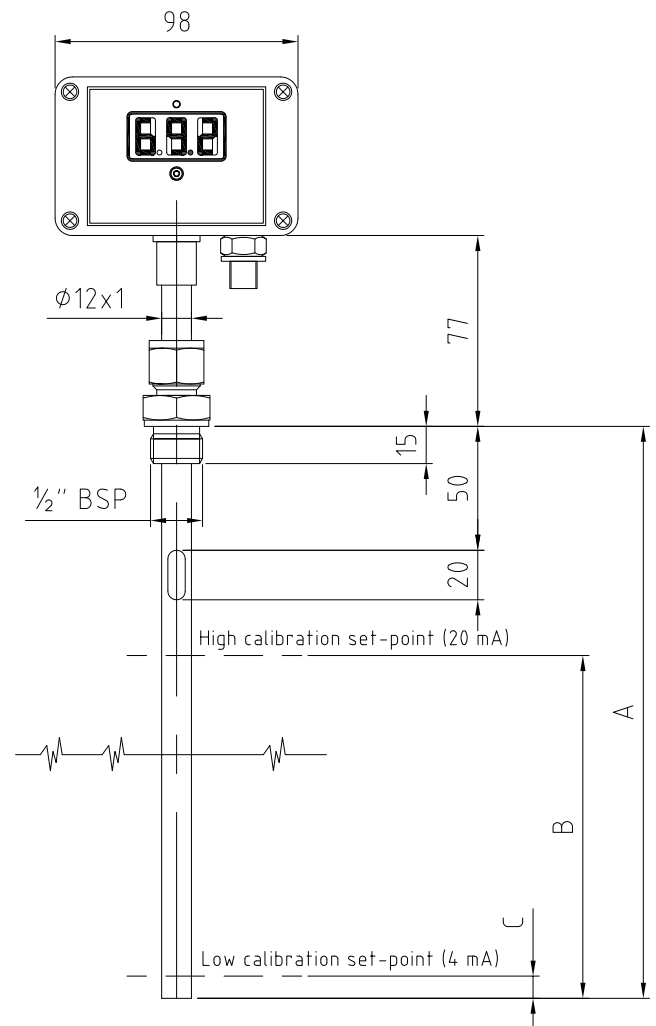
TECHNICAL DATA

Dimension casing	280x218x156mm (LxHxD)
Material casing	ABS
Material transp. cover	Polycarbonate
Power supply	110/240VAC 48-63Hz
Power output	24VDC
Ingress protection	IP65
Measuring input signal	0-20mA/4-20mA or 0-10VDC
Output alarm relay	Voltage free changeover relay NO, max. 3A at 230VAC
Output relay On/Off	Voltage free changeover relay NO, max. 3A at 230VAC
Output analog	0-20mA / 4-20mA $R_{load} < 500\Omega$
Power cable	L=5 meter with Type F plug

(1) Battery life 3-5 years at 3 times/day with an standard Alkaline Battery of 500mAh. Actual battery life depends on storage and operating temperature, time intervals and battery manufacturer.

STANDARD STOCK LENGTHS

Demaco Article No.	Lengths A (mm)	Lengths B (mm)	Lengths C (mm)
522.150	765	430	10
522.160	810	465	10
522.170	1180	800	10



DEMACO HOLLAND BV
 OESTER 2
 NL-1723 HW NOORD-SCHARWOUDE
 T +31 (0)226 33 21 00
 E INFO@DEMACO.NL

→ www.demaco.nl

DEMACO